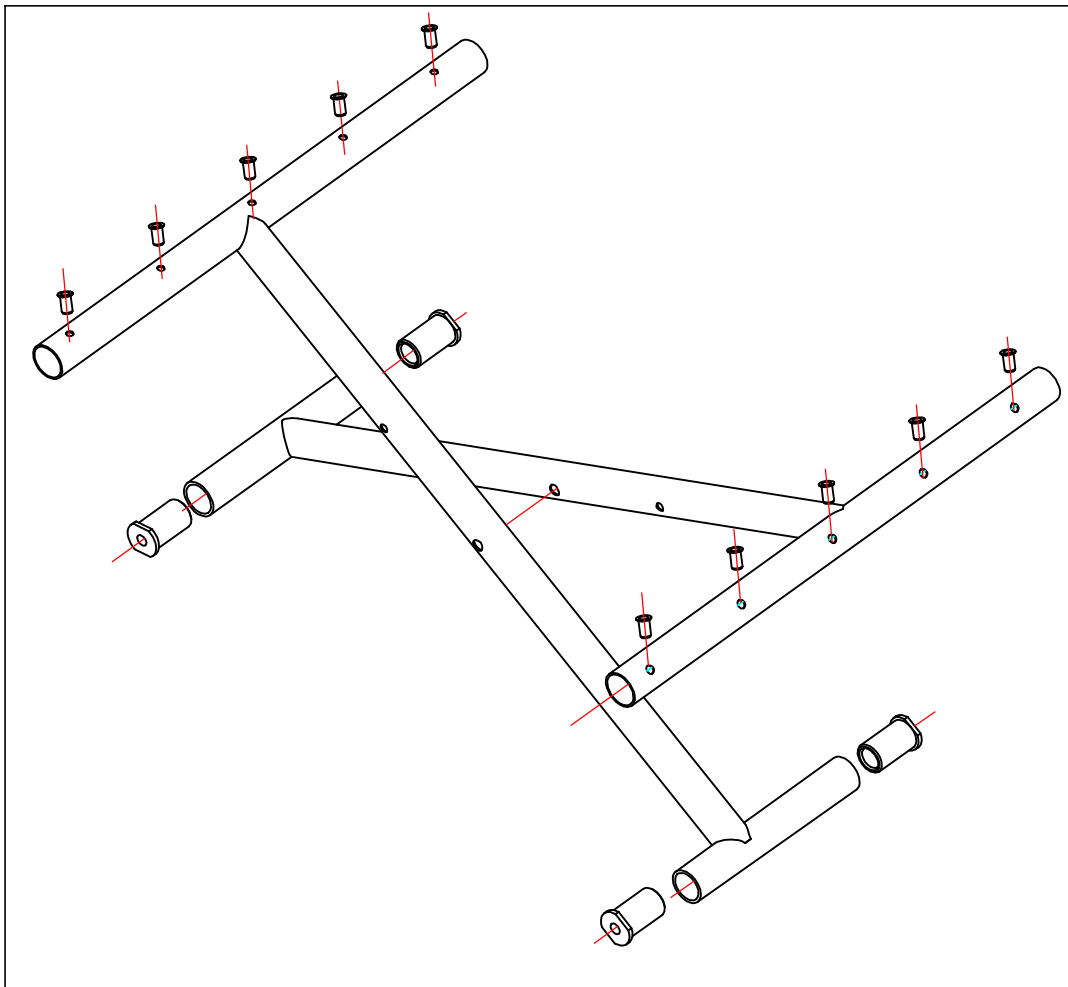
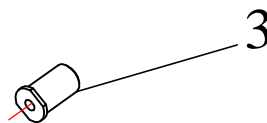
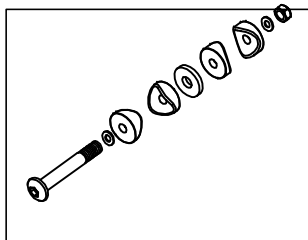
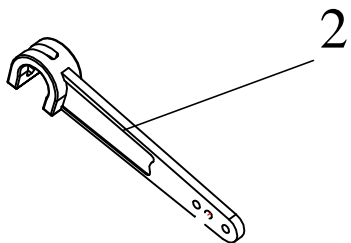


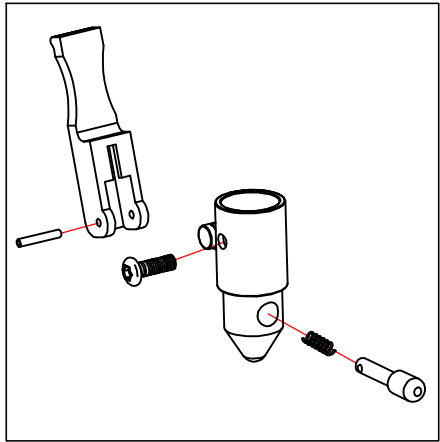
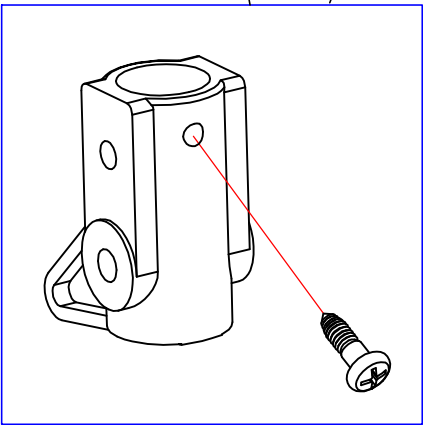
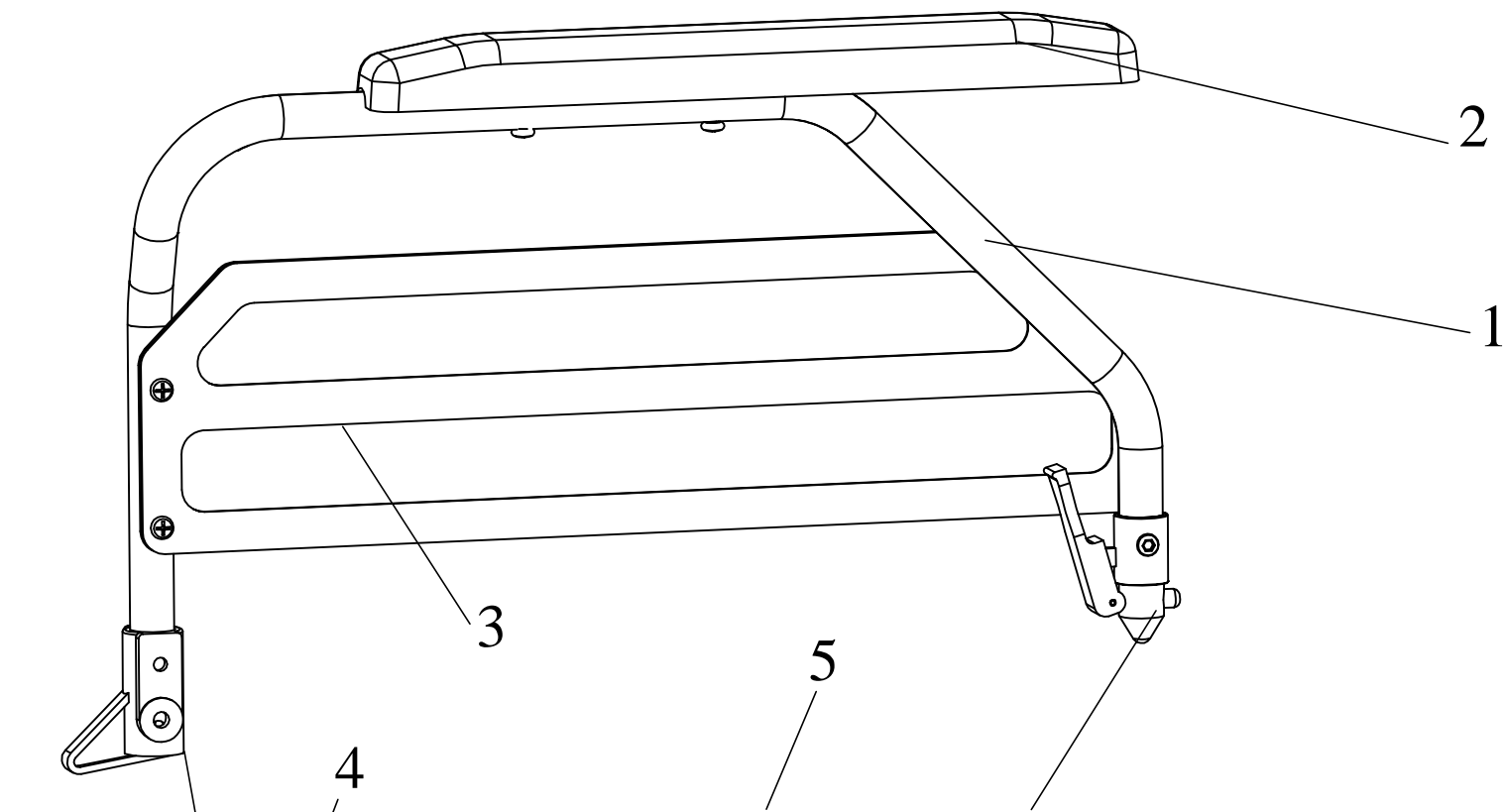
parts list BG1			
object	parts no.	parts	
1	1031100003	sideframe right grey sw 37-49	
	1031101003	sideframe left grey sw 37-49	
	1031104003	sideframe right grey sw 52	
	1031105003	sideframe left grey sw 52	
2	1031138000	lock profil, front, left	
	1031139000	lock profil, front, right	
3	1031212000	connector system on frame, right	
	1031213000	connector system on frame, left	
4	1031140000	lock profil back for crossbar	
5	1031130000	handgrip	
6	1031131000	tip up cap	
7	1031142000	adapter-block	
8	1031309000	profil for legrest	
9	1031316000	lock profil for legrest	
date: 30.07.2013		type: S-Eco 300	model: 1031
S/N		10310000087938 - 1031.....	





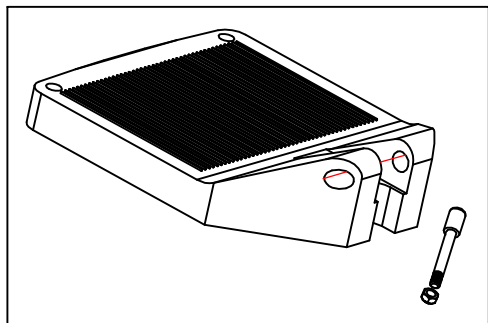
parts list BG1.1			
object	parts no.	parts	
1	1031115001	crossbar sw 37 complete	
	1031116001	crossbar sw 40 complete	
	1031117001	crossbar sw 43 complete	
	1031118001	crossbar sw 46 complete	
	1031119001	crossbar sw 49 complete	
	1031120001	crossbar sw 52 complete	
2	1031123000	lever for crossbar sw 37-43	
	1031124000	lever for crossbar sw 46-52	
3	1031136000	thread case for crossbar	
4	1031112000	middle screw for crossbar complete	
date: 30.07.2013		type: S-Eco 300	
S/N		model: 1031	
10310000087938 - 1031.....			



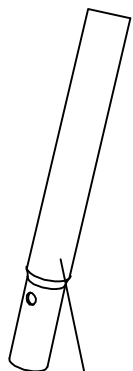


parts list BG2			
object	parts no.	parts	
1	1031203000	set armrest left grey complete	
	1031204000	set armrest right grey complete	
2	1031220000	armrest upholstery right Duo	
	1031221000	armrest upholstery left Duo	
3	1031208000	side panel right	
	1031209000	side panel left	
4	1031207000	hinge for armrest	
5	1031217000	spring system left side	
	1031218000	spring system right side	
date: 30.07.2013		type: S-Eco 300	model: 1031
S/N		10310000087938 - 1031.....	





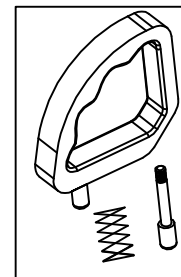
2



3



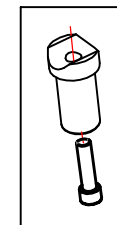
4



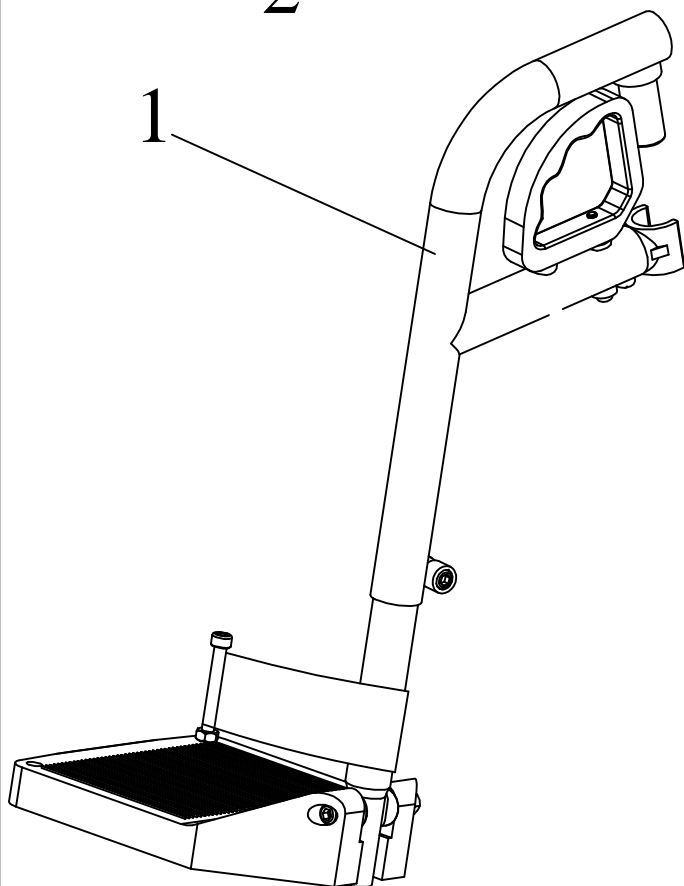
5



6



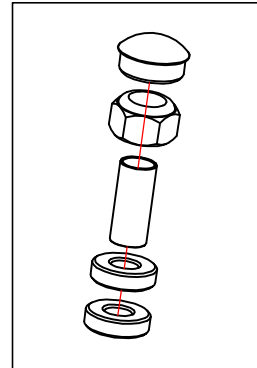
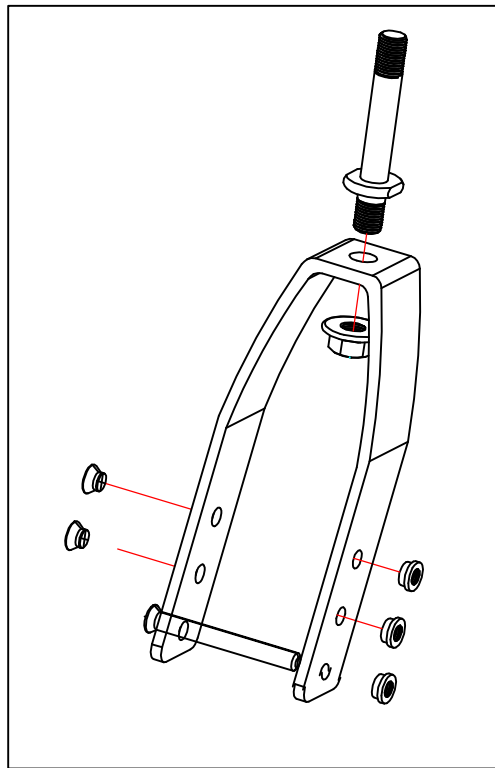
7



1

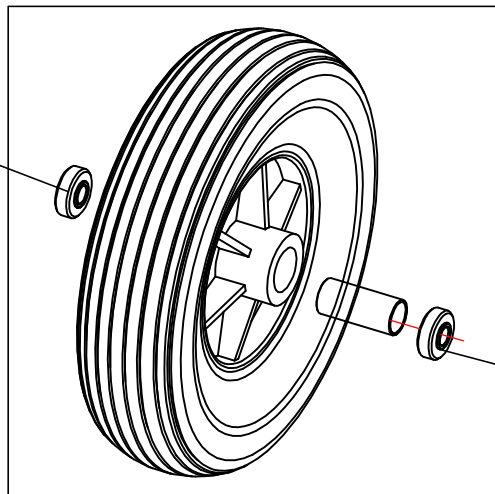
parts list BG3			
object	parts no.	parts	
1	1031301002	legrest left grey sw 37-40 cm	
	1031302002	legrest right grey sw 37-40 cm	
	1031303002	legrest left grey sw 43-46 cm	
	1031304002	legrest right grey sw 43-46 cm	
	1031305002	legrest left grey sw 49-52 cm	
	1031306002	legrest right grey sw 49-52 cm	
2	1031312000	footplate sw 37-40 cm	
	1031313000	footplate sw 43-48 cm	
	1031314000	footplate sw 49-52 cm	
3	1031308000	tube for footplate	
4	1031311000	heel tape with velcro fastener	
5	1031317000	handgrip for legrest	
6	1030308000	plastic profile for legrest	
7	1031319000	plastic bolt for legrest	
date: 30.07.2013		type: S-Eco 300	model: 1031
S/N		10310000087938 - 1031.....	





4

1



3

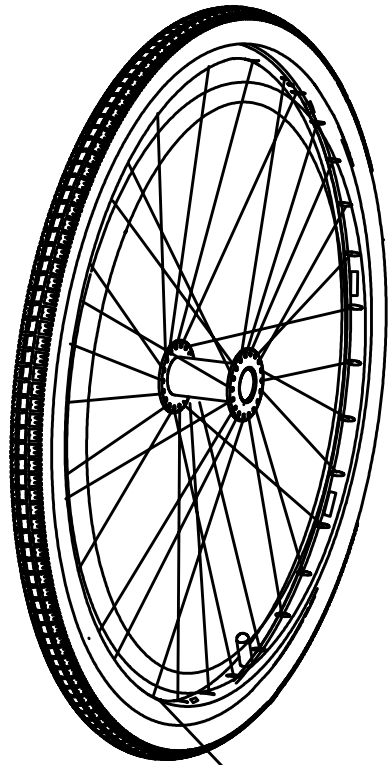
2

3

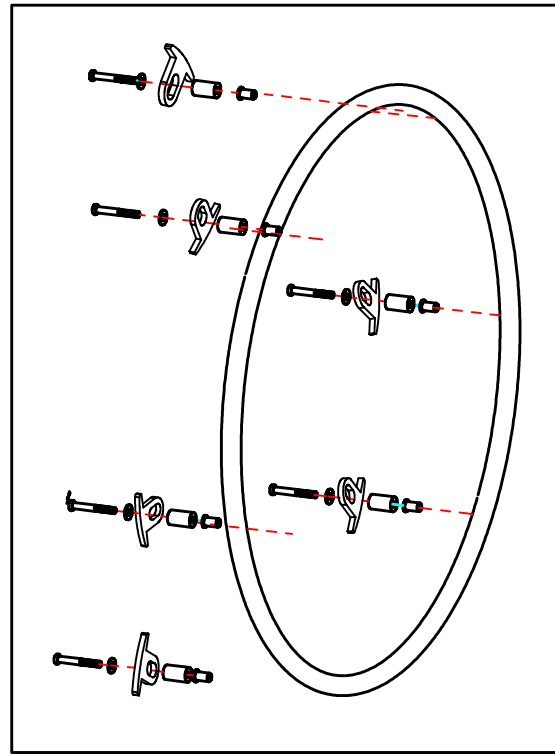
parts list BG4				
object	parts no.	parts		
1	1031404000	front fork with steering bolt and axis right (BG)		
	1031403000	front fork with steering bolt and axis left (BG)		
2	1031406000	wheel 200x50 PU with bearing(BG)		
3	1031408000	bearing for front wheel		
4	1031480000	bearing-set for front fork (BG)		
not illustrated	1031409000	bearing distance bushing		
date: 30.07.2013		type: S-Eco 300		model: 1031
S/N		10310000087938 – 1031xxxxxxxxxx		



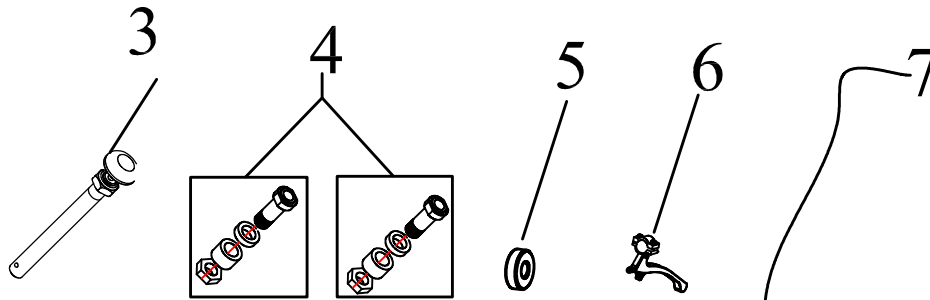




1

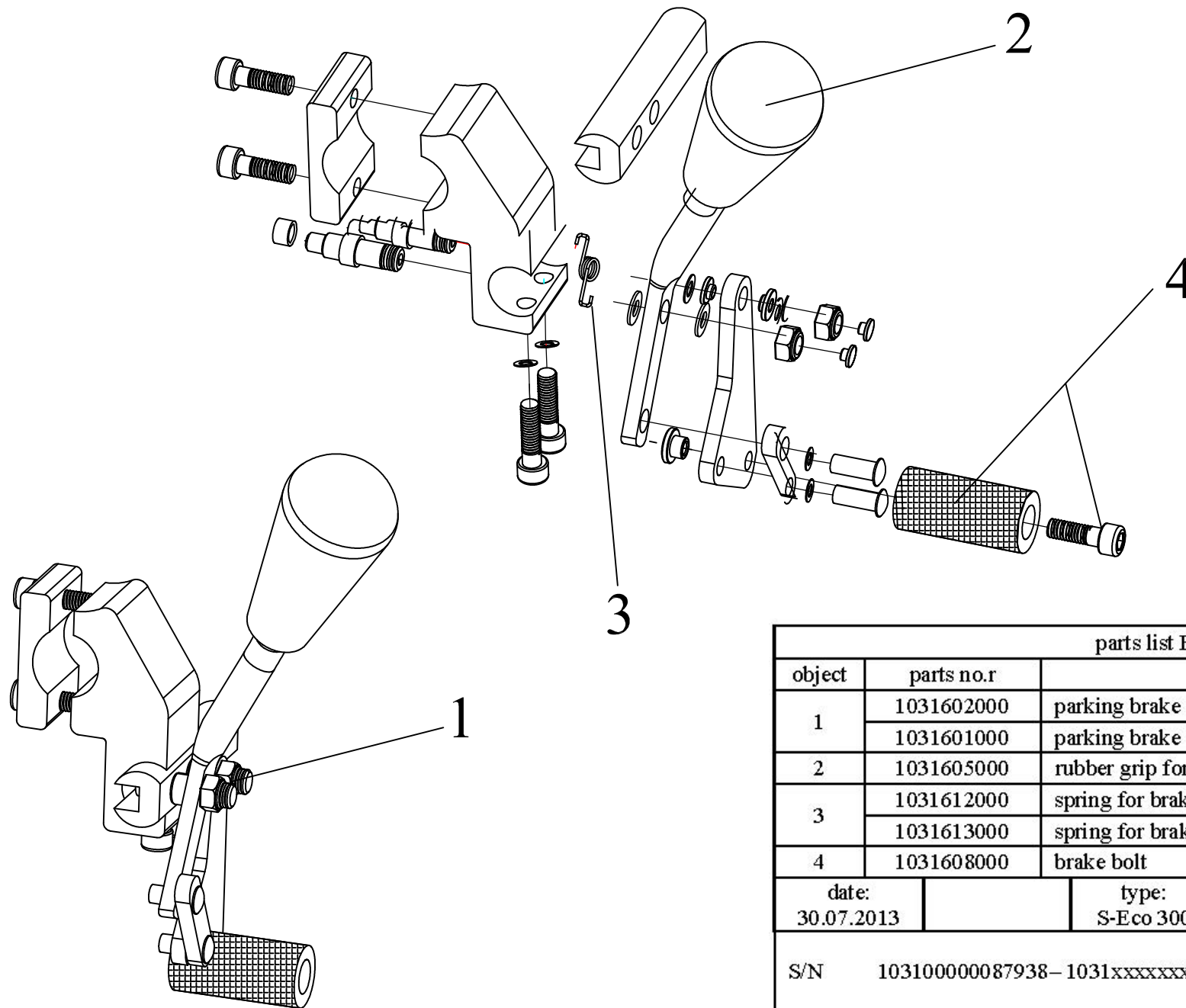


2



parts list BG5			
object	parts no.	parts	
1	1031501000	wheel 24" complete PU	
	1031502000	wheel 24" complete for drum brake	
2	1031515000	Push rim with holder (BG)	
3	1031510000	quick-release axle	
4	1031509000	holder for quick-release axle	
	1031823000	holder for quick-release axle for drum brake	
5	1031508000	bearing for rear wheel	
6	1031804000	brake lever	
7	1031815000	bowden cable right and left	
8	1031690000	lock against rotation right	
	1031691000	lock against rotation left	
9	1031667000	drum brake left	
	1031668000	drum brake right	
date: 30.07.2013		type: S-Eco 300	model: 1031
S/N		10310000087938 - 1031xxxxxxxxxx	

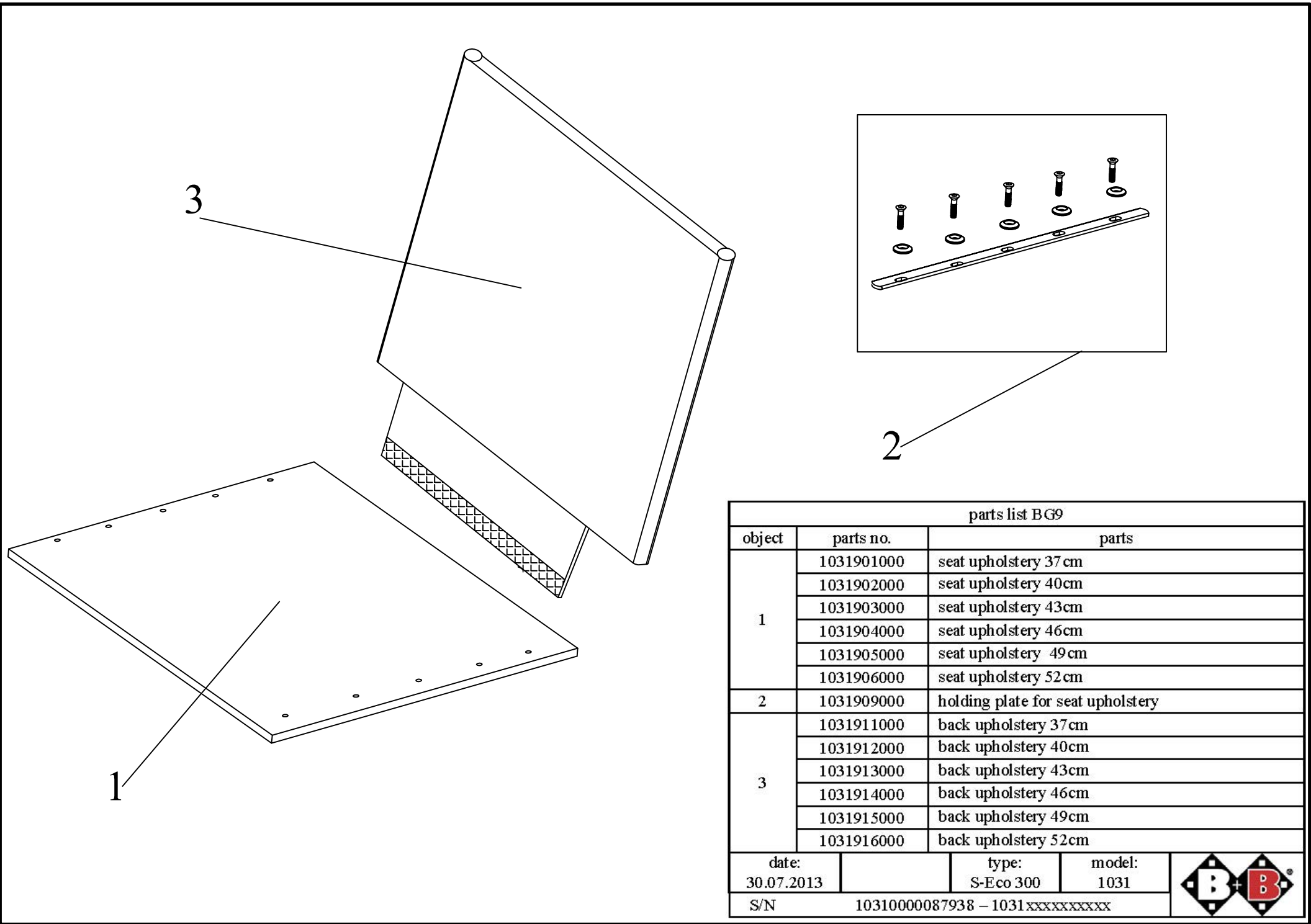




parts list BG6			
object	parts no.r	parts	
1	1031602000	parking brake right complete	
	1031601000	parking brake left complete	
2	1031605000	rubber grip for brake lever	
3	1031612000	spring for brake right	
	1031613000	spring for brake right left	
4	1031608000	brake bolt	
date: 30.07.2013		type: S-Eco 300	
		model: 1031	
S/N 103100000087938-1031xxxxxxxxx			







parts list BG9					
object	parts no.	parts			
1	1031901000	seat upholstery 37 cm			
	1031902000	seat upholstery 40cm			
	1031903000	seat upholstery 43cm			
	1031904000	seat upholstery 46cm			
	1031905000	seat upholstery 49cm			
	1031906000	seat upholstery 52 cm			
2	1031909000	holding plate for seat upholstery			
3	1031911000	back upholstery 37cm			
	1031912000	back upholstery 40cm			
	1031913000	back upholstery 43cm			
	1031914000	back upholstery 46cm			
	1031915000	back upholstery 49cm			
	1031916000	back upholstery 52cm			
date:		type:		model:	
30.07.2013		S-Eco 300		1031	
S/N		10310000087938 – 1031xxxxxxxxxx			

